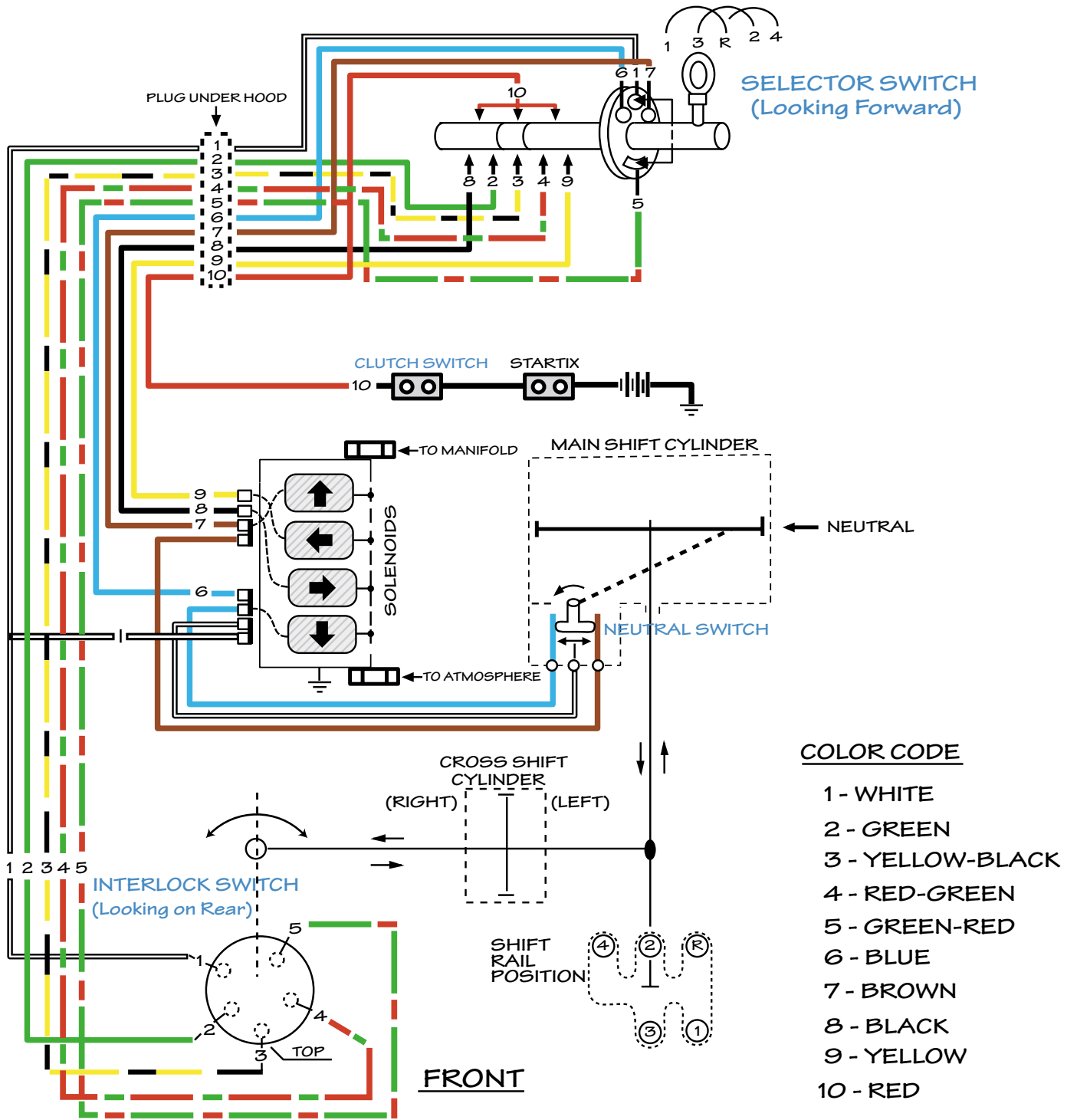


RIGHT

LEFT



	RIGHT	CENTER	LEFT
IN, OR READY TO GO INTO	4	2, 3	R, 1
CONNECTIONS BETWEEN SWITCH POINTS	4 & 5; 1, 2 & 3	3 & 5; 1, 2 & 4	2 & 5; 1, 3 & 4

810/812 CORD SHIFT SCHEMATIC